

CAB-BC

BELT DRIVEN DOUBLE INLET CABINET FAN



FIELD OF APPLICATION

CAB-BC line consists of a double inlet double width fan belt coupled to the motor, housed in a cabinet lined with sound proofing material.

These fans are designed to exhaust or intake air in residential, commercial and industrial installations (offices, pools, shops, restaurants engine rooms, electrical devices) requiring silent operation and high capacities.

The possibility to act on the rpm and a wider range of fans consent a more flexible use in many different applications than the direct coupled series (CAB-BC).

SERIES

This line consists of 9 sizes from 500 up to 32.000 m³/h.

ADVANTAGES

The main characteristics of this line are : sturdy construction, inside insulation of acoustic material, the motor variable pulley, fan with supporting frame, flexible connection between the fan and the insulation cabinet, motor placed on a base frame in arrangement 12.

ARRANGEMENT

- Main frame in aluminum profile.
- CAB-BC: removable single skin galvanized steel sheet panels, inside lined with acoustic material classed self extinguishing cl.1.
- Double inlet, double width, forward curved blade fan with supporting frame, belt coupled to the motor.
- Asynchronous electric motor, protection IP55, class F insulated, service S1, mounting type B3, construction according to the IEC/EEC (UNEL-MEC) standard.

TECHNICAL DETAILS

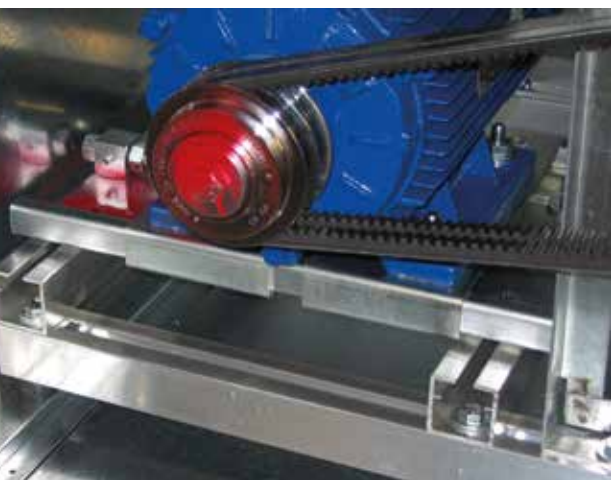
- Conveyed air: clean or slightly dusty, not abrasive.
- Temperature of the conveyed air: -20°C/+50°C.
- Voltage and frequency:
 - three-phase version (T) 400 - 415V - 3Ph - 50Hz
 - single-phase version (M) 230 - 240V - 1Ph - 50Hz
- Standard discharge Dx- b.

OPTIONALS

- Support feet (FT-BC)
- Rain cover (TT-BC)
- Filter housing (FH-BC)
- G4 sintetic filter (FI-BC)
- Inlet setting shutter (SS-BC)
- Outlet with grid (OG-BC)

ON DEMAND

- CAB-BC SW1: double skin version thickness 25 mm (1") inside lined with expanded polyurethane.
- CAB-BC SW2 double skin version thickness 50mm (2") inside lined with expanded polyurethane.
- Double polarity version.
- Single-phase version.
- Cabinet with stainless steel panels.
- Cabinet with aluminum panels.
- Special voltage and frequency



Performance shown in the selection diagrams refer to air at 15°C temperature and 0 mt a.s.l. altitude, and they were obtained in installation type "D" with no grid nor accessories. Only for non-Europeans market. Only for air changes in environments NOT solely occupied by persons (for example: professional kitchens, industrial and agricultural applications, machinery ventilation, OEM, data centers,...)

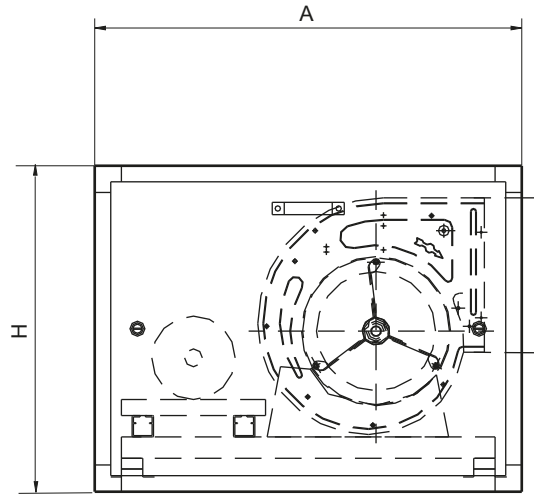
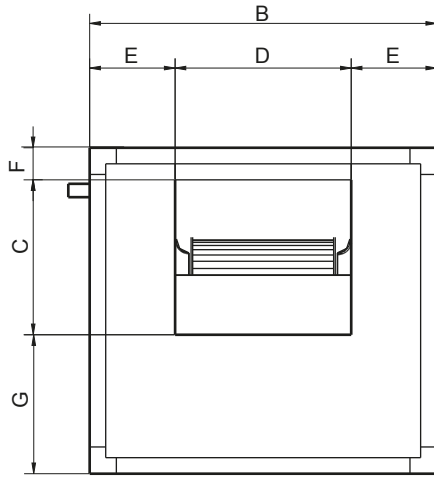
CAB-BC	Ps mm H ₂ O	10	15	20	25	30	35	40	45	50	55
	Flow Rate (m ³ /h)	kW Rpm / LW dB(A)									
7/7	750	0,37 838 / 64	0,37 1028 / 68	0,37 1186 / 71	-	-	-	-	-	-	-
	1.000	0,37 844 / 65	0,37 1026 / 69	0,37 1185 / 72	0,37 1327 / 74	0,37 1453 / 75	0,37 1570 / 77	0,37 1677 / 78	-	-	-
	1.500	0,37 929 / 69	0,37 1067 / 71	0,37 1201 / 73	0,37 1330 / 75	0,37 1452 / 77	0,37 1567 / 78	0,75 1676 / 79	0,75 1778 / 80	0,75 1875 / 81	0,75 1968 / 82
	2.000	0,37 1076 / 74	0,37 1181 / 75	0,37 1285 / 76	0,75 1389 / 77	0,37 1491 / 78	0,75 1591 / 79	0,75 1689 / 80	0,75 1784 / 81	0,75 1877 / 82	1,1 1966 / 83
9/9	1.000	0,37 669 / 60	0,37 851 / 65	0,37 1011 / 69	0,37 1152 / 71	0,37 1279 / 73	-	-	-	-	-
	2.000	0,37 702 / 67	0,37 820 / 68	0,37 930 / 69	0,37 1037 / 71	0,37 1140 / 73	0,75 1241 / 74	0,75 1339 / 75	0,75 1435 / 77	0,75 1527 / 78	0,75 1617 / 79
	3.000	0,37 823 / 74	0,75 921 / 75	0,75 1011 / 75	0,75 1094 / 76	0,75 1173 / 76	0,75 1249 / 77	0,75 1323 / 78	1,1 1396 / 78	1,1 1467 / 79	1,1 1538 / 80
10/10	2.000	0,37 582 / 64	0,37 713 / 66	0,37 833 / 69	0,37 942 / 71	0,37 1042 / 73	0,75 1134 / 75	0,75 1220 / 76	0,75 1300 / 78	0,75 1376 / 79	1,1 1447 / 80
	3.000	0,37 632 / 70	0,37 731 / 71	0,37 826 / 72	0,75 918 / 73	0,75 1006 / 74	0,75 1091 / 76	0,75 1172 / 77	0,75 1250 / 78	1,1 1324 / 79	1,1 1396 / 80
	4.000	0,75 725 / 76	0,75 801 / 76	0,75 876 / 76	0,75 950 / 77	0,75 1023 / 77	1,1 1094 / 78	1,1 1164 / 79	1,1 1232 / 79	1,1 1298 / 80	1,5 1363 / 81
12/12	4.000	0,75 528 / 72	0,75 623 / 73	0,75 715 / 74	0,75 803 / 76	1,1 886 / 77	1,1 965 / 79	1,1 1039 / 81	1,5 1109 / 82	1,5 1175 / 83	1,5 1238 / 84
	5.000	0,75 574 / 77	0,75 651 / 77	1,1 727 / 78	1,1 802 / 78	1,1 875 / 79	1,5 947 / 80	1,5 1016 / 81	1,5 1083 / 83	2,2 1148 / 84	2,2 1210 / 85
	6.000	1,1 632 / 81	1,1 697 / 81	1,1 761 / 81	1,5 824 / 81	1,5 887 / 82	1,5 950 / 82	2,2 1012 / 83	2,2 1072 / 84	2,2 1132 / 85	2,2 1190 / 85
15/15	6.000	0,75 460 / 76	0,75 532 / 76	1,1 603 / 77	1,1 671 / 78	1,1 736 / 79	1,5 799 / 80	1,5 859 / 81	2,2 916 / 82	2,2 970 / 83	2,2 1022 / 84
	7.000	1,1 490 / 79	1,1 554 / 79	1,1 616 / 80	1,5 677 / 80	1,5 736 / 81	1,5 794 / 81	2,2 850 / 82	2,2 904 / 83	2,2 956 / 83	2,2 1007 / 84
	8.000	1,1 524 / 82	1,5 582 / 82	1,5 637 / 82	1,5 692 / 83	2,2 745 / 83	2,2 798 / 83	2,2 849 / 84	3,0 900 / 84	3,0 949 / 85	3,0 998 / 85
	9.000	1,5 561 / 84	1,5 614 / 85	2,2 664 / 85	2,2 714 / 85	2,2 762 / 85	2,2 810 / 85	3,0 857 / 86	3,0 904 / 86	3,0 950 / 86	3,0 995 / 87
	10.000	-	2,2 650 / 87	2,2 696 / 87	2,2 741 / 87	3,0 786 / 87	3,0 830 / 87	3,0 873 / 88	3,0 916 / 88	4,0 958 / 88	4,0 1000 / 88
18/18	10.000	1,1 411 / 81	1,5 466 / 81	1,5 520 / 81	2,2 571 / 82	2,2 620 / 82	2,2 667 / 83	3,0 712 / 83	3,0 756 / 84	3,0 798 / 85	4,0 839 / 86
	12.000	1,5 450 / 86	2,2 498 / 86	2,2 545 / 85	3,0 590 / 85	3,0 634 / 85	3,0 677 / 86	3,0 718 / 86	3,0 758 / 86	4,0 797 / 87	4,0 835 / 87
	14.000	2,2 494 / 89	3,0 537 / 89	3,0 578 / 89	3,0 618 / 89	4,0 658 / 89	4,0 696 / 89	4,0 734 / 89	5,5 770 / 89	5,5 806 / 89	5,5 841 / 89
	16.000	4,0 541 / 92	4,0 579 / 92	4,0 616 / 92	4,0 653 / 92	5,5 688 / 92	5,5 723 / 92	5,5 757 / 92	5,5 791 / 92	5,5 824 / 92	7,5 856 / 92
500	16.000	2,2 384 / 84	3,0 437 / 84	3,0 484 / 84	3,0 529 / 84	4,0 571 / 84	4,0 612 / 84	4,0 651 / 85	5,5 689 / 85	5,5 725 / 86	5,5 761 / 86
	18.000	-	3,0 456 / 87	4,0 501 / 86	4,0 542 / 86	4,0 582 / 86	5,5 620 / 87	5,5 657 / 87	5,5 693 / 87	5,5 728 / 87	7,5 762 / 88
	20.000	-	4,0 474 / 89	4,0 519 / 89	5,5 559 / 89	5,5 597 / 89	5,5 633 / 89	5,5 667 / 89	7,5 701 / 89	7,5 734 / 89	7,5 766 / 89
	22.000	-	-	5,5 537 / 91	5,5 577 / 91	7,5 613 / 91	7,5 647 / 91	7,5 681 / 91	7,5 713 / 91	7,5 744 / 91	11 775 / 91
	24.000	-	-	-	7,5 595 / 93	7,5 631 / 93	7,5 664 / 93	11 696 / 93	11 727 / 93	11 757 / 93	11 786 / 93
560	22.000	-	4,0 404 / 87	4,0 443 / 87	5,5 479 / 87	5,5 513 / 87	5,5 545 / 88	7,5 577 / 88	7,5 608 / 88	7,5 638 / 89	7,5 667 / 89
	24.000	-	4,0 419 / 89	5,5 457 / 89	5,5 491 / 89	5,5 524 / 89	7,5 555 / 89	7,5 585 / 89	7,5 614 / 90	11 643 / 90	11 671 / 90
	26.000	-	-	7,5 471 / 90	7,5 505 / 90	7,5 536 / 91	7,5 566 / 91	11 595 / 91	11 623 / 91	11 651 / 91	11 677 / 92
	28.000	-	-	7,5 486 / 92	7,5 519 / 92	7,5 550 / 92	7,5 579 / 92	11 607 / 92	11 634 / 92	11 660 / 93	11 685 / 93
630	26.000	4,0 313 / 85	4,0 350 / 84	5,5 385 / 84	5,5 418 / 84	5,5 449 / 85	7,5 480 / 85	7,5 509 / 85	7,5 538 / 86	7,5 566 / 86	11 594 / 87
	28.000	4,0 324 / 86	5,5 361 / 86	5,5 394 / 86	7,5 425 / 86	7,5 456 / 86	7,5 485 / 86	7,5 513 / 87	11 541 / 87	11 568 / 87	11 595 / 88
	30.000	-	5,5 372 / 88	7,5 404 / 87	7,5 434 / 87	7,5 463 / 87	7,5 491 / 88	11 519 / 88	11 545 / 88	11 571 / 88	11 597 / 89
	32.000	-	7,5 384 / 89	7,5 415 / 89	7,5 444 / 89	11 472 / 89	11 499 / 89	11 525 / 89	11 551 / 89	11 576 / 89	11 600 / 90

The sound power level LW dB(A) is measured inside the outlet duct.

Attention: The Sound Pressure Level Lp dB(A) 1m is deducted, with approximation, subtrahend 7 dB for installation in riverberating room and 11 dB in free field. "All this ventilation units, according to EU Rule 1253/14, must be equipped with inverter"

Tolerances: performances and sound power levels within the tolerances allowed by the DIN 24166 standard for Class 2.

CAB-BC Dimensions



CAB-BC (es. standard) - CAB-BC SW1
* double skin 25mm (1")

Model	A	B	H	C	D	E	F	G	Kg
7/7	700	600	500	220	230	185	60	220	45
9/9	800	650	560	260	300	175	60	240	60
10/10	800	650	610	290	330	160	60	260	80
12/12	950	700	700	340	400	150	60	300	110
15/15	1100	900	790	400	470	215	70	320	130
18/18	1265	1100	920	480	560	270	70	370	165
500	1400	1200	1110	630	630	285	70	410	200
560	1650	1350	1220	700	700	325	70	450	360
630	1760	1500	1350	800	800	350	70	480	470

Dimensions in mm

CAB-BC SW2
* double skin 50mm (2")

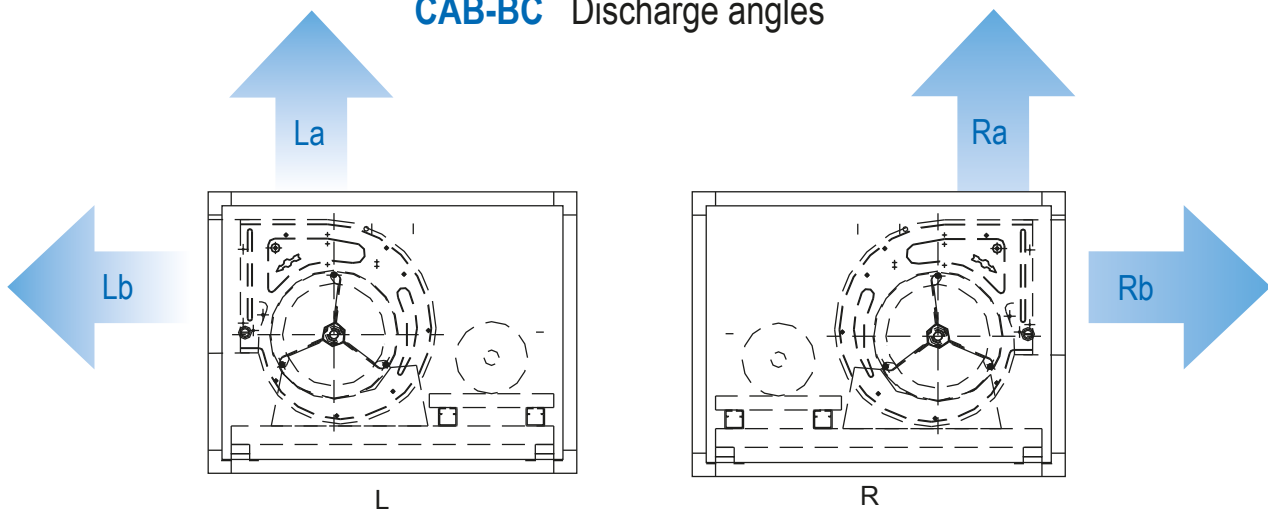
Model	A	B	H	C	D	E	F	G	Kg
7/7	740	640	540	220	230	205	80	240	55
9/9	840	690	600	260	300	195	80	260	70
10/10	850	700	650	290	330	185	80	280	95
12/12	1000	750	740	340	400	175	80	320	125
15/15	1150	950	820	400	470	240	80	340	150
18/18	1315	1150	950	480	560	295	80	390	195
500	1450	1250	1130	630	630	310	80	420	230
560	1700	1400	1240	700	700	350	80	460	390
630	1810	1550	1370	800	800	375	80	490	520

Dimensions in mm

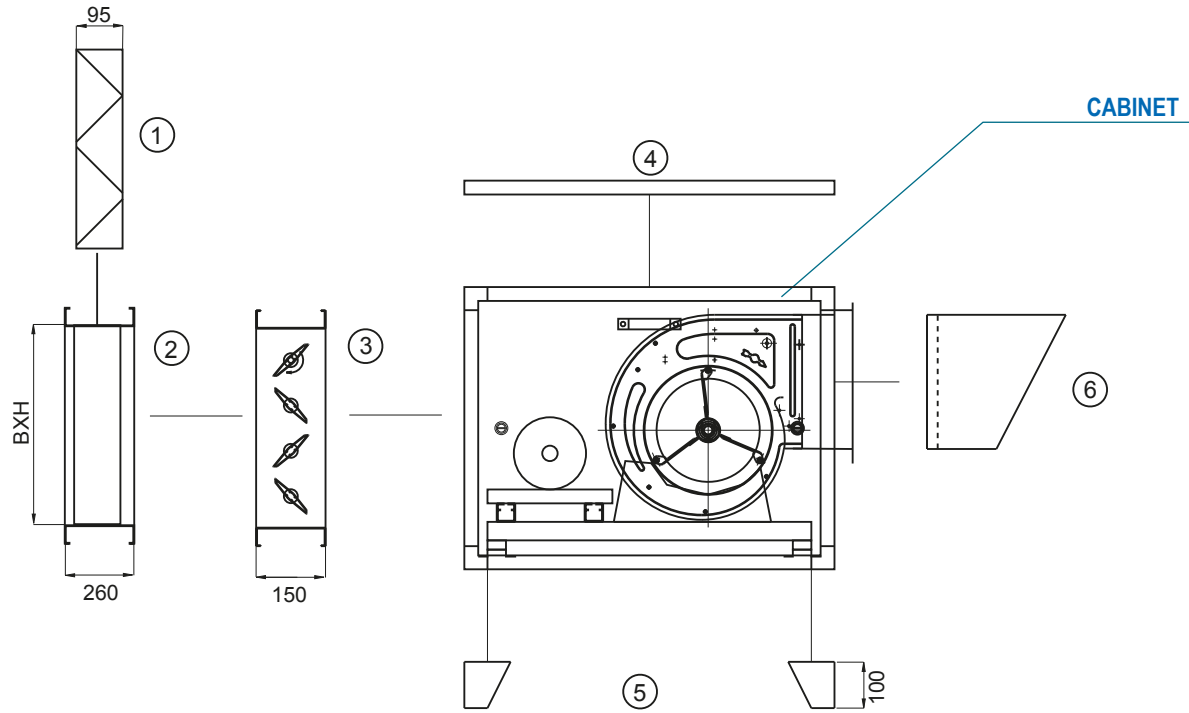
CAB-BC Discharge angles

Standard discharge Dxb

CAB-BC Discharge angles



Sight inspection side



Accessories	
①	FILTER SYNTHETIC
②	FILTER HOUSING
③	SETTING SHUTTER
④	RAIN COVER
⑤	SUPPORT FEET
⑥	OUTLET WITH GRID

Model	② Filter housing		③ Setting shutter	
	B	H	B	H
7/7	475	375	485	385
9/9	525	435	535	445
10/10	525	485	535	495
12/12	575	575	585	585
15/15	755	645	755	645
18/18	955	775	955	775
500	1055	965	1055	965
560	1205	1075	1205	1075
630	1355	1205	1355	1205

Dimensions in mm

Accessories

