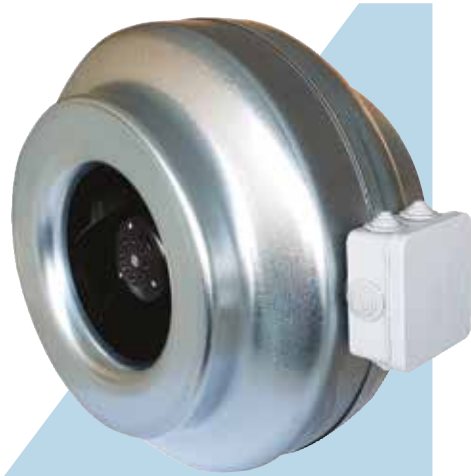


CIR-DUCT

CENTRIFUGAL IN LINE FAN FOR CIRCULAR DUCTS



FIELD OF APPLICATION

CIR-DUCT line is ideal to intake or exhaust air through circular ducting in: public locals, offices, shops, bars, pools, laboratories, kitchens, toilets, workshops, restaurants etc.

Its compact steel structure, external rotor motor and centrifugal backward bladed impeller ensure:

- easy installation
- flexible working by adjusting the rpm
- high efficiency
- sturdiness and reliability

SERIES

This line consists of 7 models with diameters from 100 up to 315mm.

ARRANGEMENT

- Casing in weather proof steel sheet.
- Steel sheet motor supports with airflow straighteners.
- External rotor motor IP44 protection ISO B, speed adjustable by electronic speed regulator.
- High efficiency backward blade impeller.
- Terminal box in techno-polymer.
- Wall bracket

TECHNICAL DETAILS

- Conveyed air: clean
- Temperature air: -20°C / +50°C
- Voltage and frequency: single-phase version (M) 230 - 240V - 1Ph - 50Hz

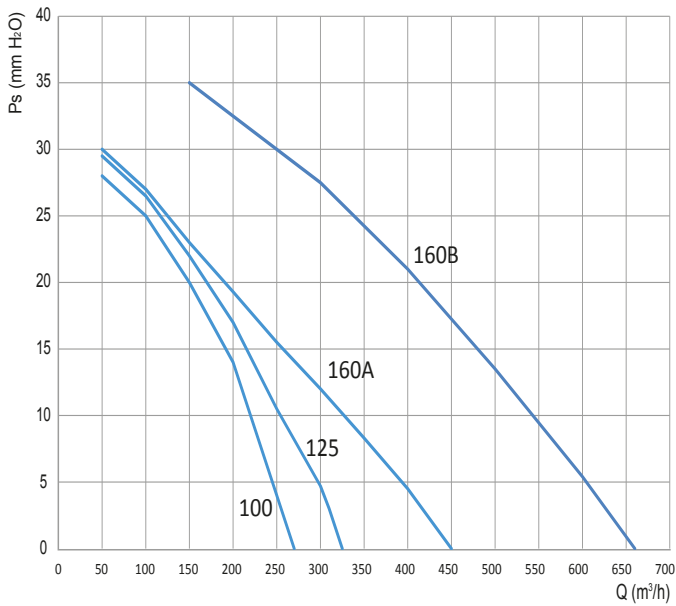
OPTIONALS

- Speed controller (ESR)
- Butterfly shutters (SHT)
- Hose clamps (HC)
- Protection grids (GR)
(Necessary for use in free air).



CIR-DUCT Performances

Performance shown in the selection diagrams refer to air at 15°C temperature and 0 mt a.s.l. altitude, and they were obtained in installation type "D" with no grid nor accessories.

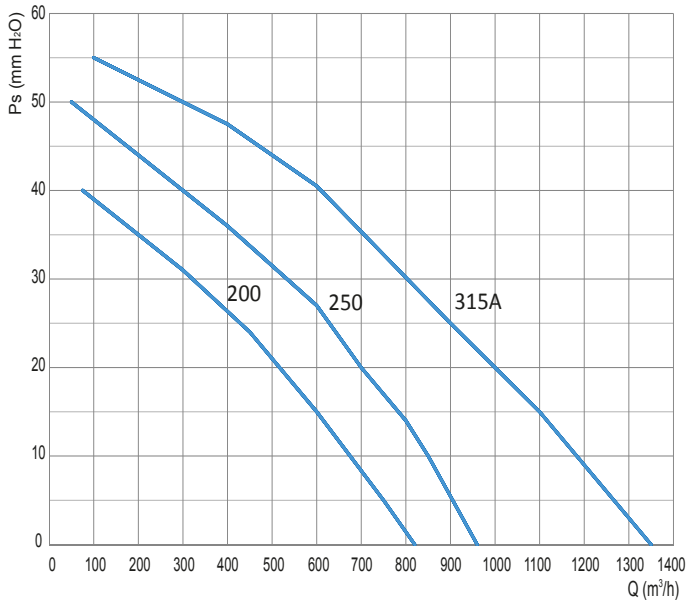


Model	Flow rate (m³/h)	Pm (W)	In max (A)	Lp dB(A)	Speed controller
100	270	74	0,31	35	ESR 1,5A
125	325	74	0,31	39	ESR 1,5A
160A	430	74	0,31	37	ESR 1,5A
160B	660	103	0,5	42	ESR 1,5A
200	820	103	0,5	41	ESR 1,5A
250	960	140	0,6	44	ESR 1,5A
315A	1350	219	0,9	44	ESR 1,5A

Pm = Motor power.

In = Absorbed current.

Lp = Sound pressure level is measured in free field at 3 m distance from the fan, with inlet and outlet ducted.



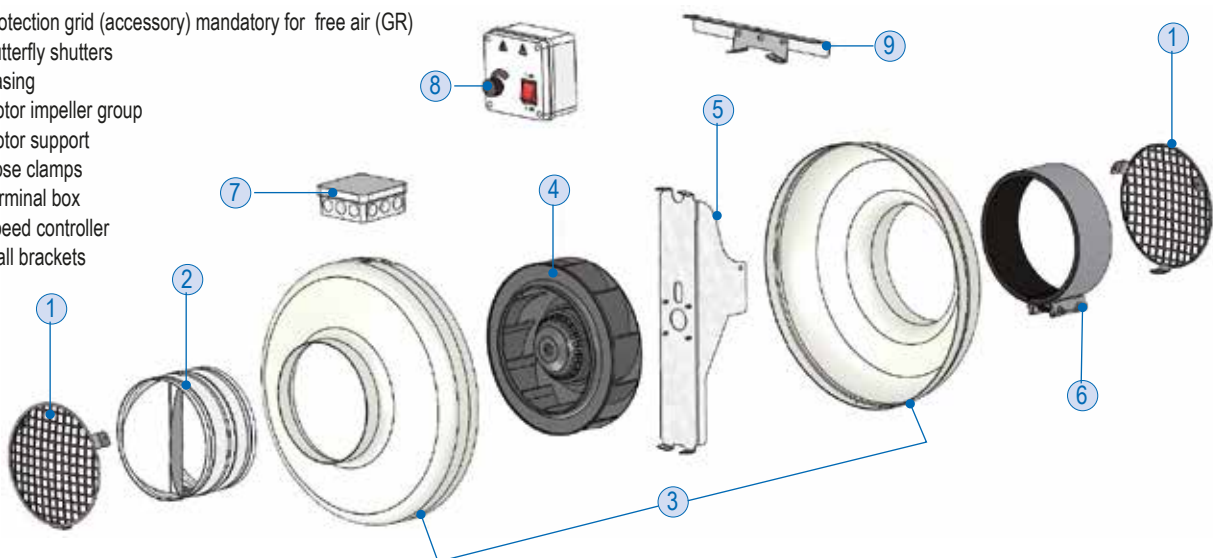
CIR-DUCT Noise level

Sound Pressure Level Lp dB(A) 3m

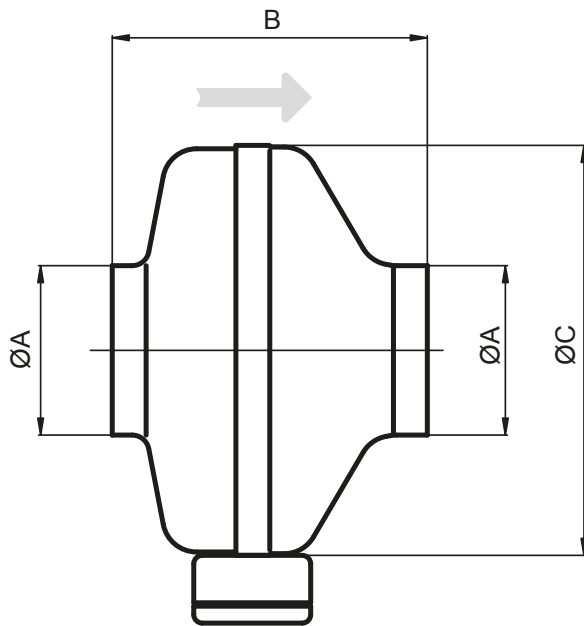
Model	LwA/Radiate								
	63	125	250	500	1k	2k	4k	8k	Tot
100	-	18	31	43	46	43	35	23	49
125	-	22	35	47	49	46	38	27	53
160A	-	20	33	45	47	44	36	25	51
160B	2	25	39	50	52	49	41	30	56
200	2	24	36	49	51	49	40	29	55
250	5	27	39	52	54	51	43	32	58
315A	7	29	41	44	56	53	45	35	58

Tolerances: performances and sound power levels within the tolerances allowed by the DIN 24166 standard for Class 2.

- 1 - Protection grid (accessory) mandatory for free air (GR)
- 2 - Butterfly shutters
- 3 - Casing
- 4 - Motor impeller group
- 5 - Motor support
- 6 - Hose clamps
- 7 - Terminal box
- 8 - Speed controller
- 9 - Wall brackets



CIR-DUCT Dimensions



Model	ØA	B	ØC	kg*
100	100	189	244	3
125	125	182	244	3
160A	160	189	244	3
160B	160	217	344	4
200	200	231	344	5
250	250	230	344	5
315A	315	243	402	7

Dimensions in mm (*) Indicative

CIR-DUCT Accessories



BR WALL BRACKETS

To be used to fix the fan on the wall (included)



GR PROTECTION GRID

Required to prevent accidental contact with rotation parts. Mandatory for free air



HC HOSE CLAMP

To be used to connect the fan to the ducting.



SHT SHUTTER

Backdraught butterfly shutter

CONTROLLERS

ESR SPEED CONTROLLER

